



US00D436728S

(12) **United States Design Patent**
Harding

(10) **Patent No.:** **US D436,728 S**

(45) **Date of Patent:** **** Jan. 30, 2001**

(54) **PET TOY BOX**

(76) **Inventor:** **Brenda R. Harding**, 416 E. Grant Ave., Altoona, PA (US) 16602

(**) **Term:** **14 Years**

(21) **Appl. No.:** **29/101,509**

(22) **Filed:** **Mar. 4, 1999**

(51) **LOC (7) Cl.** **03-01**

(52) **U.S. Cl.** **D3/304; D3/201**

(58) **Field of Search** **D3/201, 304, 307; D9/424, 425; 220/676; D30/118**

(56) **References Cited**

U.S. PATENT DOCUMENTS

- D. 124,557 1/1941 Richardson .
- D. 125,280 2/1941 Little .
- D. 151,291 10/1948 Shoemaker et al. .
- D. 237,020 * 9/1975 Valentine D3/304
- D. 270,678 * 9/1983 Stein D3/304
- D. 272,288 * 1/1984 Plaff D3/304
- D. 275,918 * 10/1984 Taylor D6/510
- D. 288,636 * 3/1987 McLaren D30/118 X
- D. 304,638 * 11/1989 Ireland D3/304
- D. 310,748 * 9/1990 Embree et al. D3/304
- D. 349,787 8/1994 McMahon .
- D. 376,875 12/1996 Glickstein .
- D. 388,560 12/1997 Savicki .
- D. 391,687 * 3/1998 McMahon .
- D. 405,253 * 2/1999 Simpson D3/201

- 2,016,005 10/1935 Giannasca .
- 2,238,982 4/1941 Norton .
- 2,292,540 8/1942 Norton .
- 3,173,398 3/1965 Raymond .
- 3,826,229 7/1974 Classe et al. .
- 5,265,558 11/1993 Schönrock .
- 5,282,439 2/1994 Oaks .

FOREIGN PATENT DOCUMENTS

- 2031575 6/1992 (CA) .
- 2 206 272 1/1989 (GB) .

* cited by examiner

Primary Examiner—Louis S. Zarfaz

Assistant Examiner—Monica A. Weingart

(74) *Attorney, Agent, or Firm*—Stephen Christopher Swift

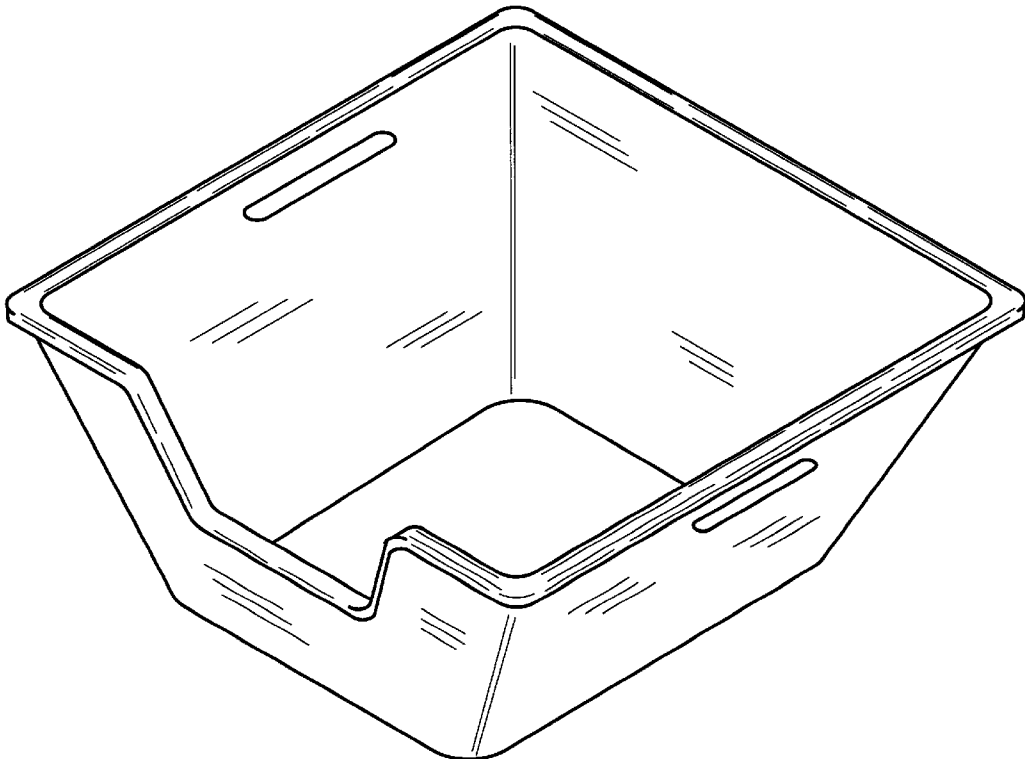
(57) **CLAIM**

The ornamental design for a pet toy box, as shown and described.

DESCRIPTION

FIG. 1 is a perspective view of a pet toy box showing my new design;
 FIG. 2 is a top plan view thereof;
 FIG. 3 is a front elevational view thereof;
 FIG. 4 is a right side elevational view thereof, with the left side being a mirror image of the right side;
 FIG. 5 is a rear elevational view thereof; and,
 FIG. 6 is a bottom plan view thereof.

1 Claim, 6 Drawing Sheets



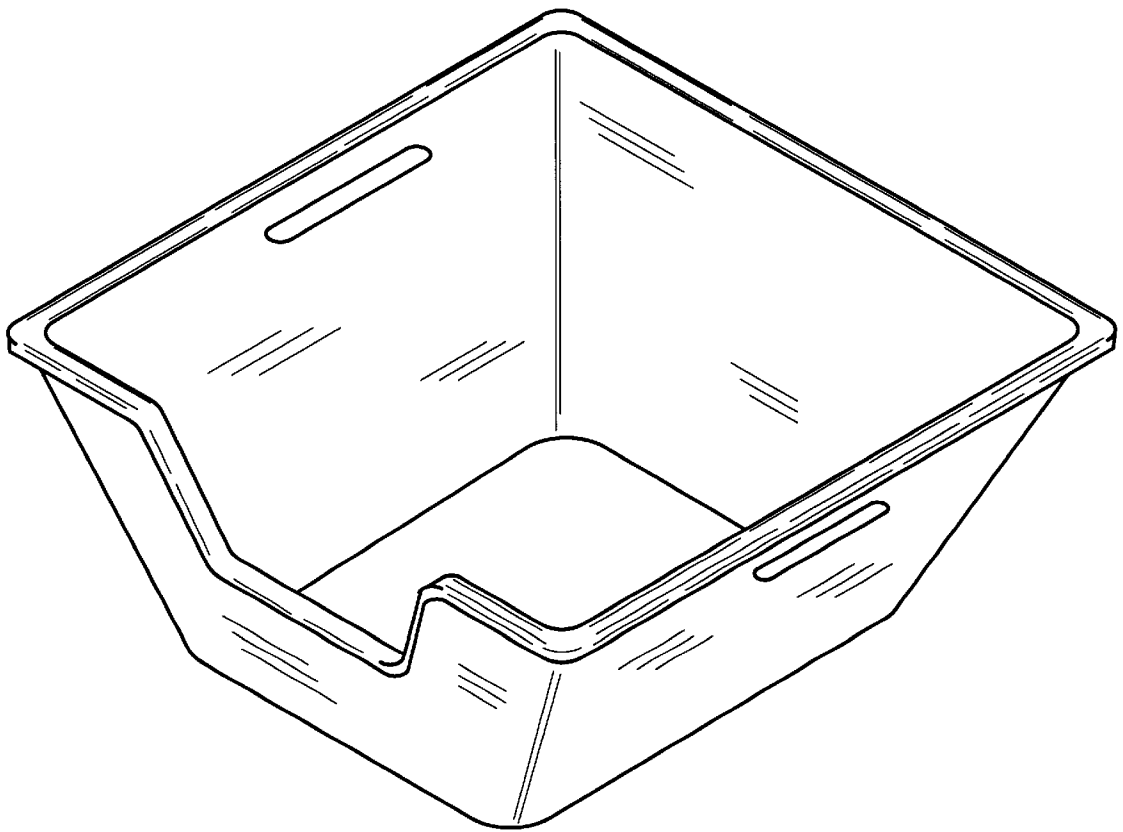


FIG. 1

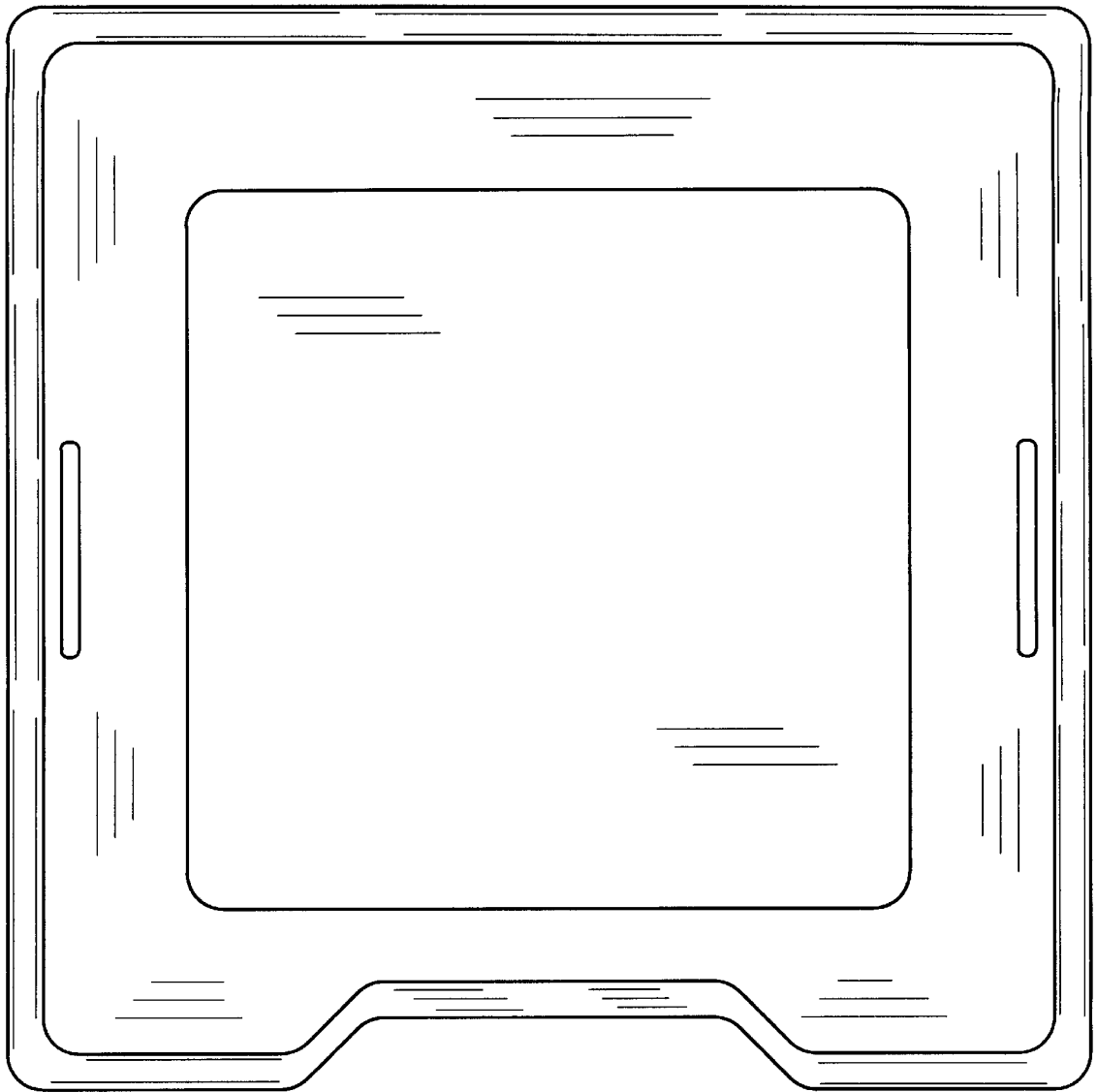


FIG. 2

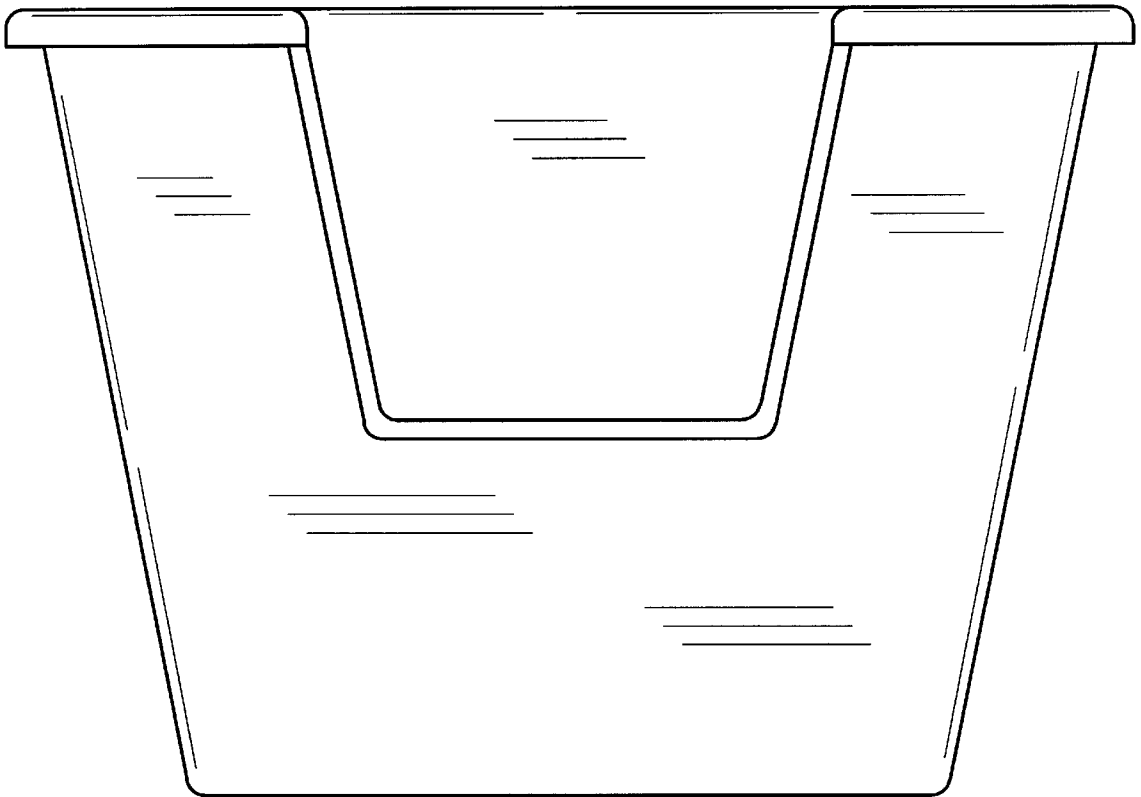


FIG. 3

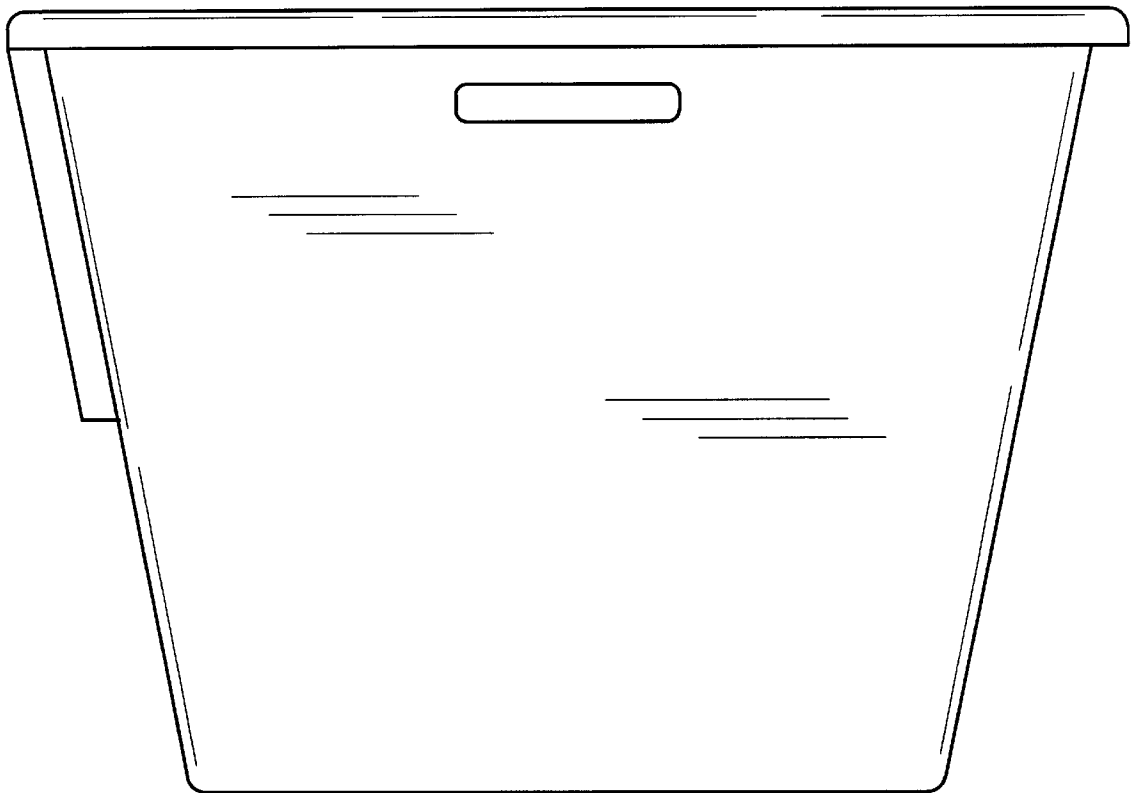


FIG. 4

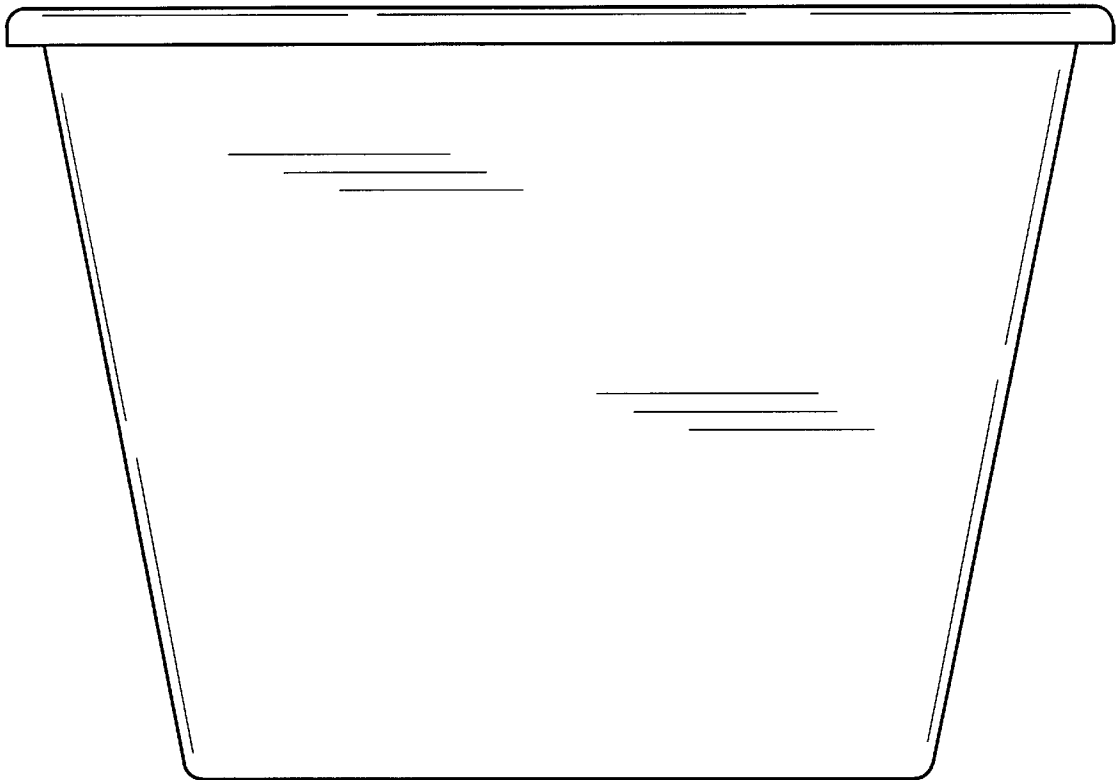


FIG. 5

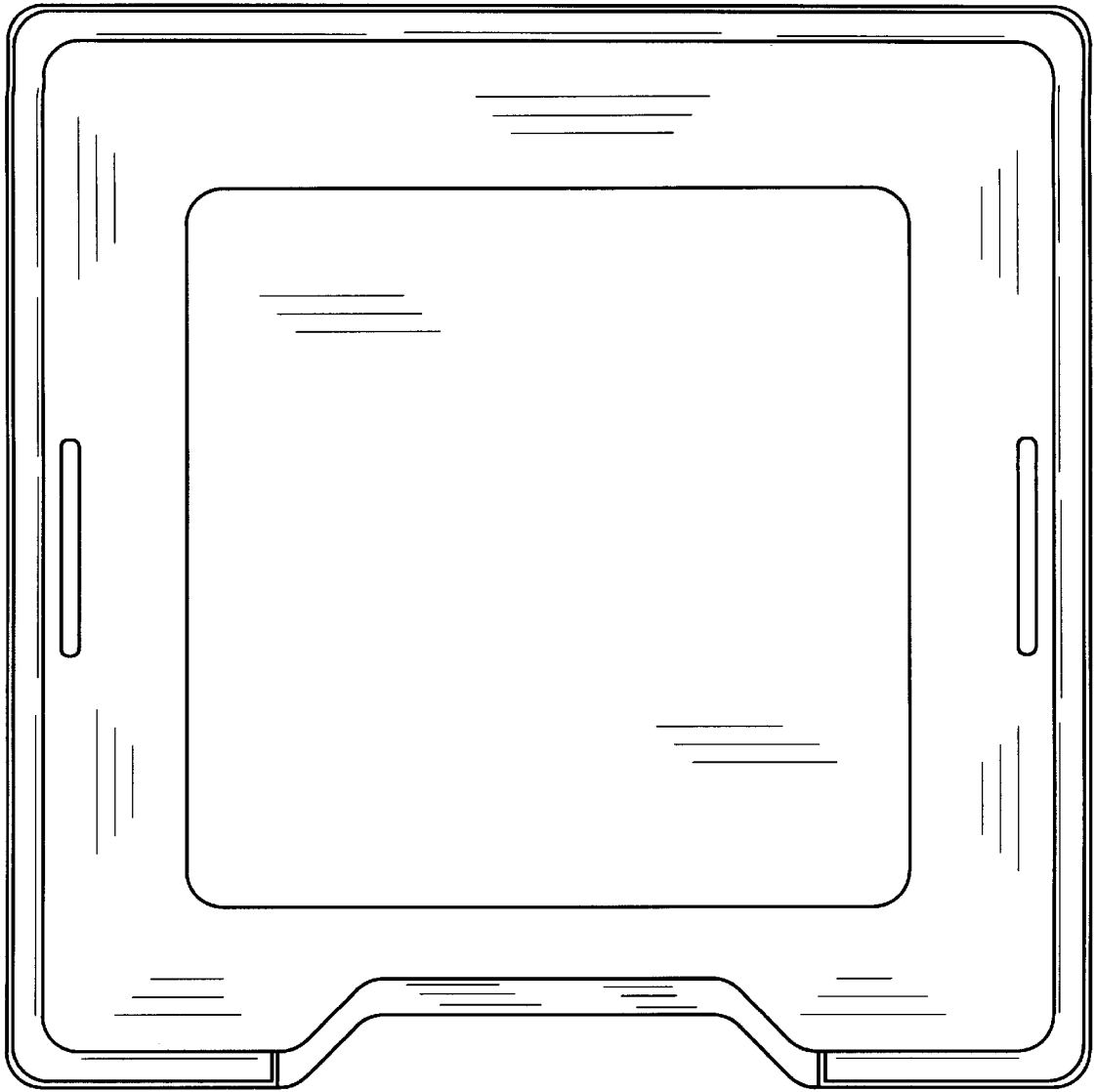


FIG. 6